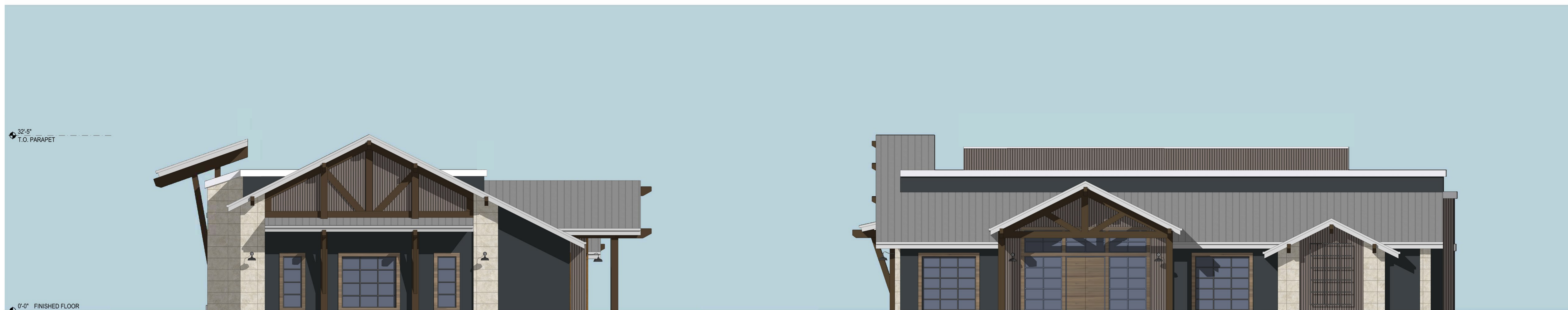


SOUTH ELEVATION

EAST ELEVATION



NORTH ELEVATION

WEST ELEVATION

COLOR & MATERIAL LEGEND

												
P1 STUCCO SHERWIN WILLIAMS SNOWBOUND	P2 METAL SHERWIN WILLIAMS SHIITAKE	P3 METAL SHERWIN WILLIAMS ALMOND ROCA	P4 WOOD SHERWIN WILLIAMS BLACK BEAN	P5 WOOD SHERWIN WILLIAMS BLACK SWAN	P6 STUCCO SHERWIN WILLIAMS TRICORN BLACK	SD1 VERTICAL METAL SIDING METAL SALES "BURNISHED SLATE"	T1 GLAZED CERAMIC DALTILE GLEN ARBOR	T2 PORCELAIN DALTILE RIVER MARBLE	ACM1 ALUMINUM COMPOSITE PANEL NORTH CLAD "BRONZE A"	R1 METAL ROOF AEP SPAN OLD TOWN GRAY	ST1 STOREFRONT SYSTEM 1 3/4"x4 1/2" DARK BRONZE ANODIZED	G1 GLAZING 1" INSULATED GLASS



SOUTH WEST ELEVATION




SOUTH EAST ELEVATION

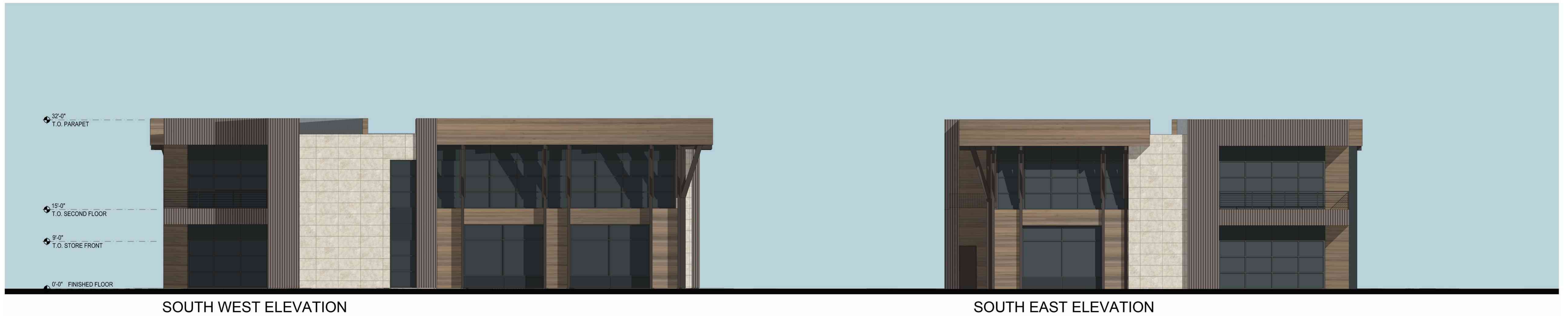


NORTH EAST ELEVATION

NORTH WEST ELEVATION

COLOR & MATERIAL LEGEND

												
P1 STUCCO SHERWIN WILLIAMS SNOWBOUND	P2 METAL SHERWIN WILLIAMS SHITAKE	P3 METAL SHERWIN WILLIAMS ALMOND ROCK	P4 WOOD SHERWIN WILLIAMS BLACK BEAN	P5 WOOD SHERWIN WILLIAMS BLACK SWAN	P6 STUCCO SHERWIN WILLIAMS TRICORN BLACK	SD1 VERTICAL METAL SIDING METAL SALES "BURNISHED SLATE"	T1 GLAZED CERAMIC DALTILE GLEN ARBOR	T2 PORCELAIN DALTILE RIVER MARBLE	ACM1 ALUMINUM COMPOSITE PANEL NORTH CLAD "BRONZE A"	R1 METAL ROOF AEP SPAN OLD TOWN GRAY	ST1 STOREFRONT SYSTEM 1 3/4"x4 1/2" DARK BRONZE ANODIZED	G1 GLAZING 1" INSULATED GLASS



SOUTH WEST ELEVATION

SOUTH EAST ELEVATION



NORTH EAST ELEVATION

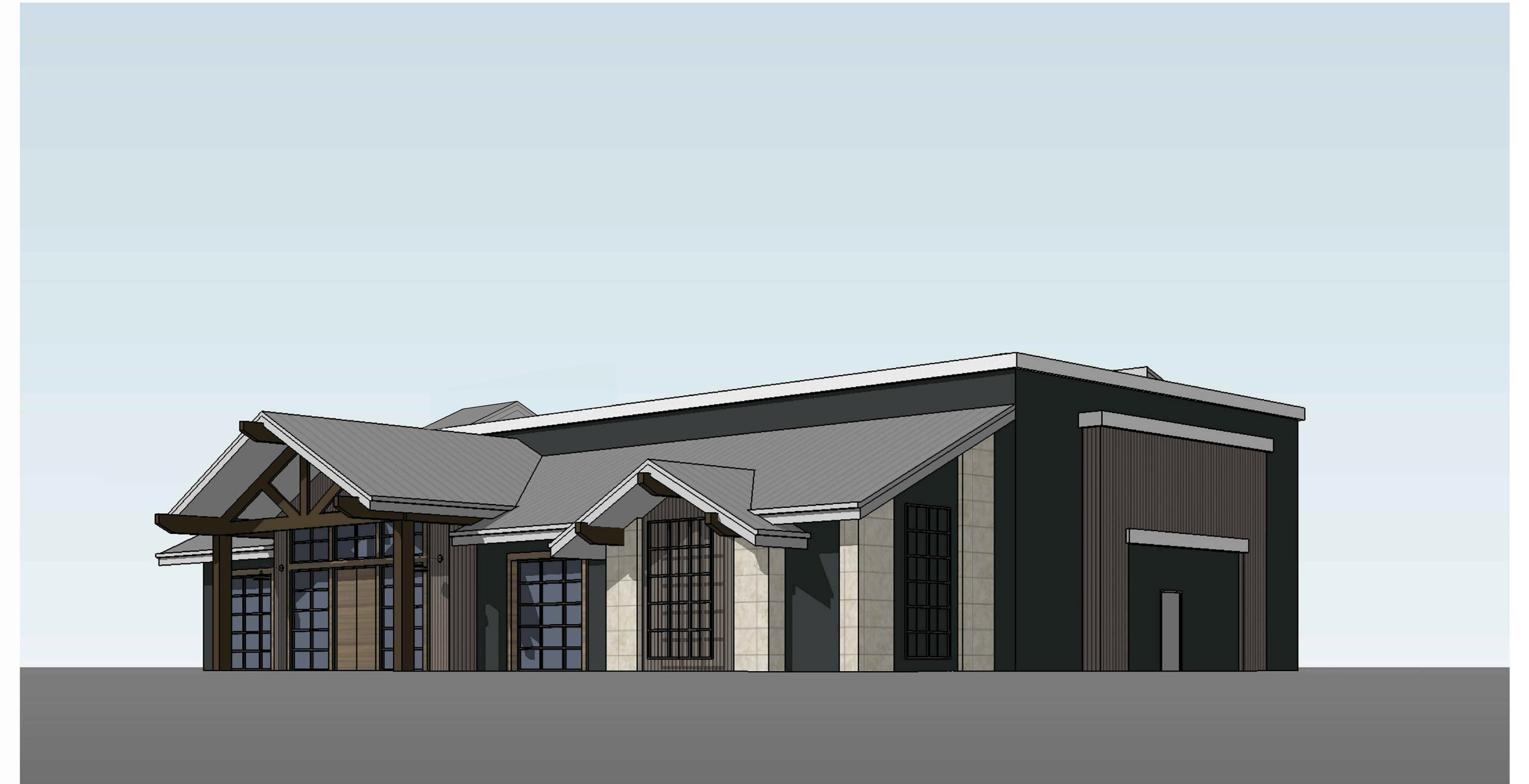
NORTH WEST ELEVATION

COLOR & MATERIAL LEGEND

P1 STUCCO SHERWIN WILLIAMS SNOWBOUND	P2 METAL SHERWIN WILLIAMS SHITAKE	P3 METAL SHERWIN WILLIAMS ALMOND ROCA	P4 WOOD SHERWIN WILLIAMS BLACK BEAN	P5 WOOD SHERWIN WILLIAMS BLACK SWAN	P6 STUCCO SHERWIN WILLIAMS TRICORN BLACK	SD1 VERTICAL METAL SIDING METAL SALES "BURNISHED SLATE"	T1 GLAZED CERAMIC DAL TILE GLEN ARBOR	T2 PORCELAIN DAL TILE RIVER MARBLE	ACM1 ALUMINUM COMPOSITE PANEL NORTH CLAD "BRONZE A"	R1 METAL ROOF AEP SPAN OLD TOWN GRAY	ST1 STOREFRONT SYSTEM 1 3/4"x4 1/2" DARK BRONZE ANODIZED	G1 GLAZING 1" INSULATED GLASS



VIEW FROM SOUTH EAST



VIEW FROM SOUTH WEST



VIEW FROM NORTH WEST



VIEW FROM NORTH EAST

**NCRSP PARCEL 49 LOT 7 PERSPECTIVE (BUILDING N)**

ROSEVILLE, CA

17002-1 04-29-2021

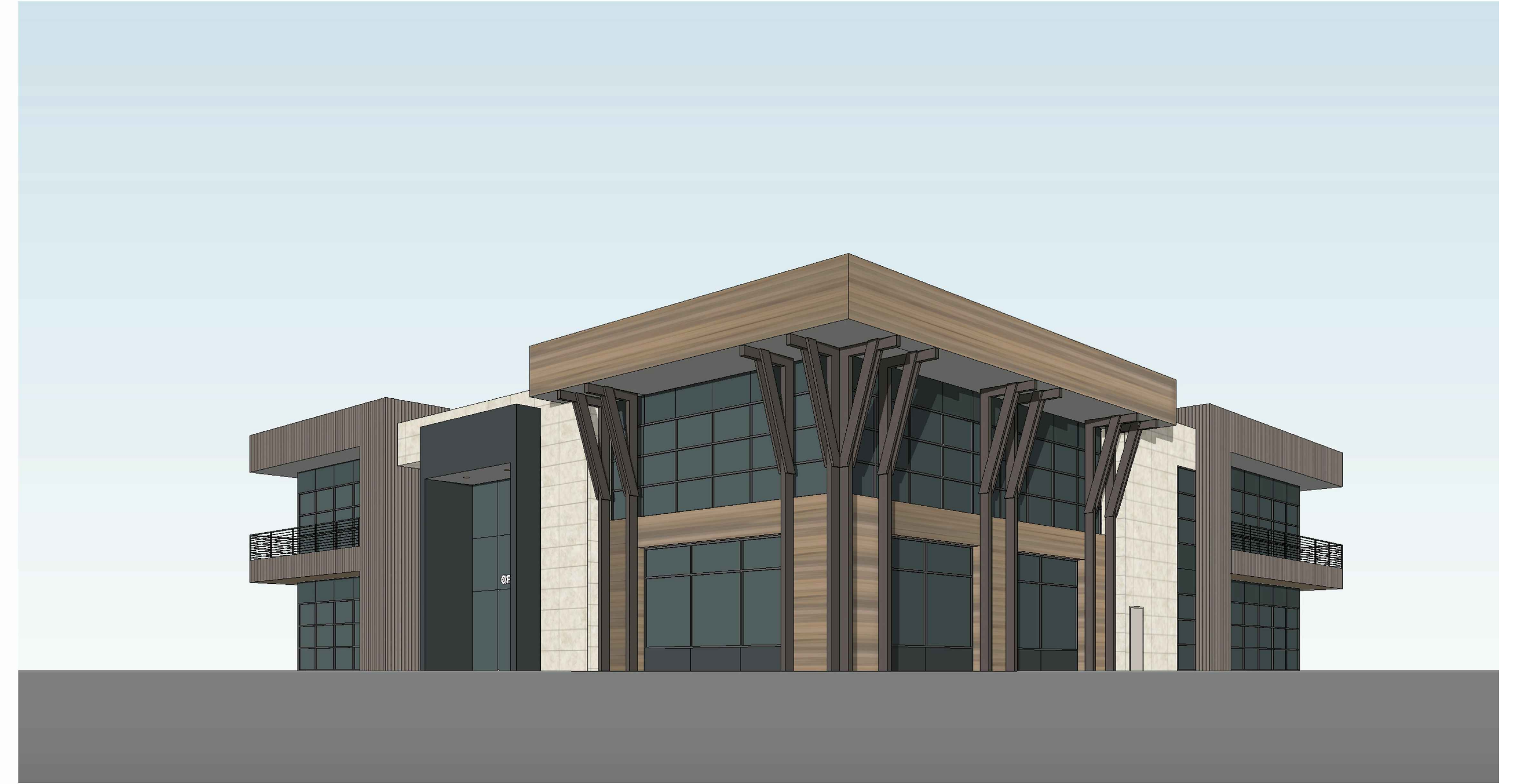
1478 STONE POINT DRIVE SUITE 350 ROSEVILLE, CA 95661 T | 916 782 7200 borgesarch.com

**A-301**

**Borges**  
ARCHITECTURAL GROUP



VIEW FROM SOUTH



VIEW FROM WEST



VIEW FROM NORTH



VIEW FROM EAST

**NCRSP PARCEL 49 LOT 7 PERSPECTIVE (BUILDING O)**

ROSEVILLE, CA

17002-1 07-23-2020

1478 STONE POINT DRIVE SUITE 350 ROSEVILLE, CA 95661 T | 916 782 7200 borgesarch.com

**A-302**





VIEW FROM SOUTH



VIEW FROM WEST



VIEW FROM NORTH



VIEW FROM EAST

**NCRSP PARCEL 49 LOT 7 PERSPECTIVE (BUILDING V & W)**

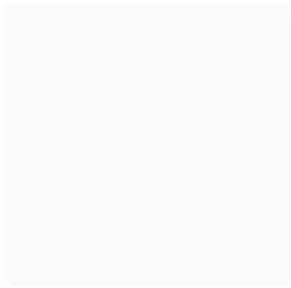
ROSEVILLE, CA

17002-1 04-29-2021

1478 STONE POINT DRIVE SUITE 350 ROSEVILLE, CA 95661 T | 916 782 7200 borgesarch.com

**A-303**

ARCHITECTURAL GROUP  
**Borges**



P1 STUCCO  
SHERWIN WILLIAMS  
SNOWBOUND



P2 METAL  
SHERWIN WILLIAMS  
SHIITAKE



P3 METAL  
SHERWIN WILLIAMS  
ALMOND ROÇA



P4 WOOD  
SHERWIN WILLIAMS  
BLACK BEAN



P5 WOOD  
SHERWIN WILLIAMS  
BLACK SWAN



P6 STUCCO  
SHERWIN WILLIAMS  
TRICORN BLACK



SD1 VERTICAL METAL SIDING  
METAL SALES  
"BURNISHED SLATE"



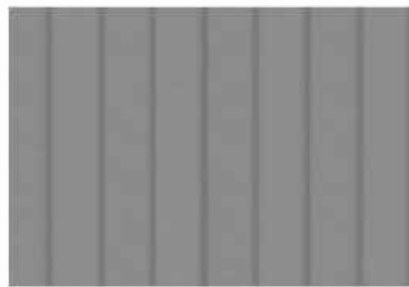
T1 GLAZED CERAMIC  
DAL TILE  
GLEN ARBOR



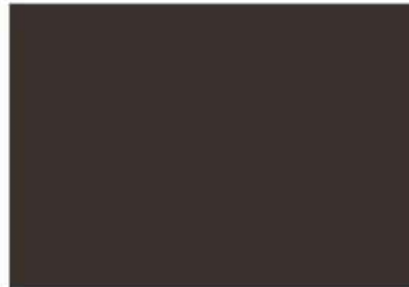
T2 PORCELAIN  
DAL TILE  
RIVER MARBLE



ACM1 ALUMINUM COMPOSITE PANEL  
NORTH CLAD  
"BRONZE A"



R1 METAL ROOF  
AEP SPAN  
OLD TOWN GRAY



ST1 STOREFRONT SYSTEM  
1 3/4"x4 1/2" DARK BRONZE  
ANODIZED



G1 GLAZING  
1" INSULATED GLASS

# NCRSP PARCEL 49 LOT 7

## MATERIAL BOARD